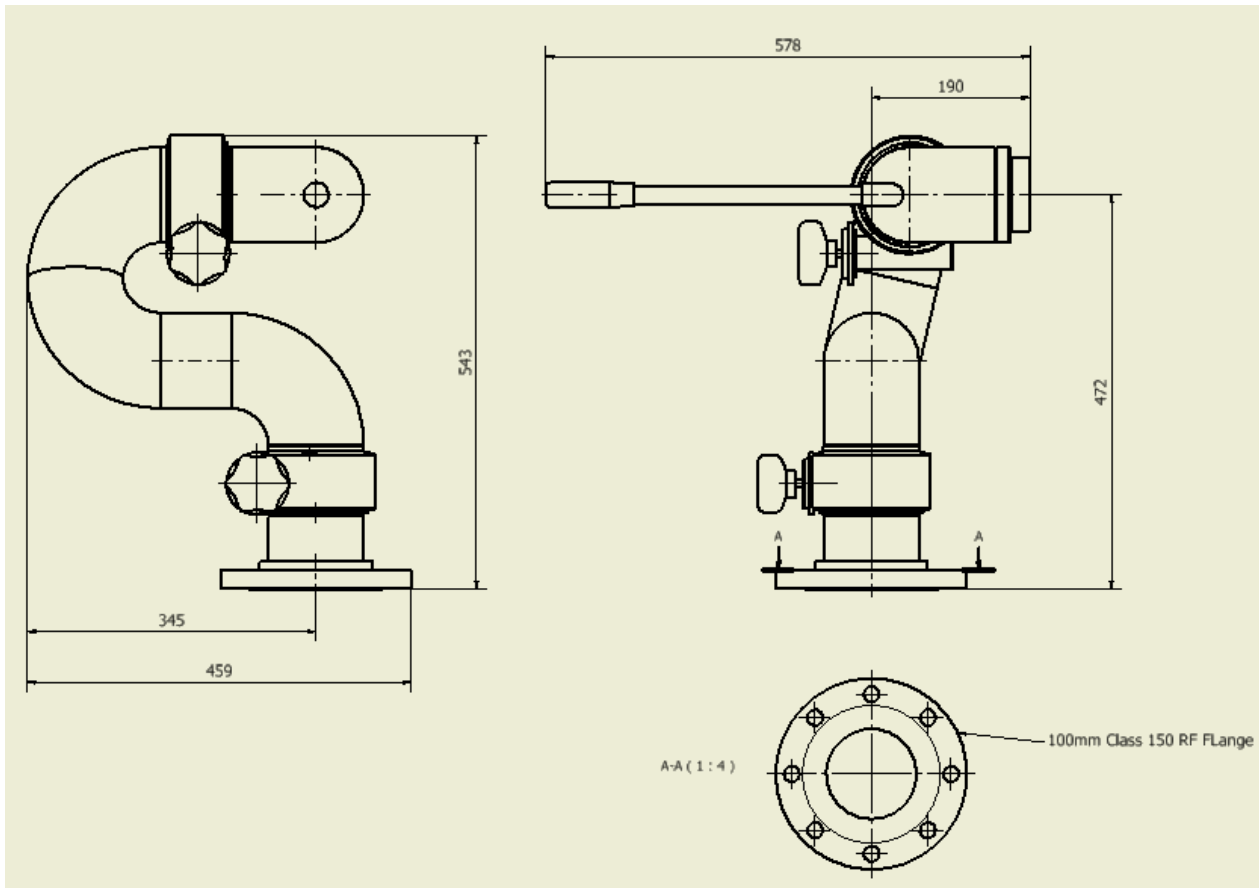


Monitors



Commando 4021 Manual Monitor

Fire Engineering
Pty Limited



The Commando 4021 monitor is a 100mm friction lock monitor made from 316 stainless steel.

Specifications

Maximum Recommended Flow:	7,500 lpm
Horizontal Rotation:	360°
Vertical Movement:	-75° + 70°
Inlet Connection:	Flanged
Outlet Connection:	100mm BSP Male
Weight (approx):	24 kg

Design Features

Essential to all Commando designs is a clean waterway with no obstructions. This keeps friction losses low as well as minimizes the risk of blockages. Orion monitors have removable nozzles which facilitates rapid clearing of obstructions and more flexible deployment of monitors.

ORION FIRE ENGINEERING PTY LIMITED

ABN 80 002 538 696

26A LYN PARADE PRESTONS NSW 2170 AUSTRALIA

Tel (61) 2 9426 7900 FAX (61) 2 8783 5400

Visit our Website www.orion-fire.com.au Email: sales@orion-fire.com.au

To ensure maximum monitor availability for many years this monitor incorporates some key design features:

- Fully enclosed swivels
- Metal balls for swivel races
- All external parts are stainless steel. No external aluminium or steel components are used, thus minimising any possible corrosion problems.

Materials of Construction

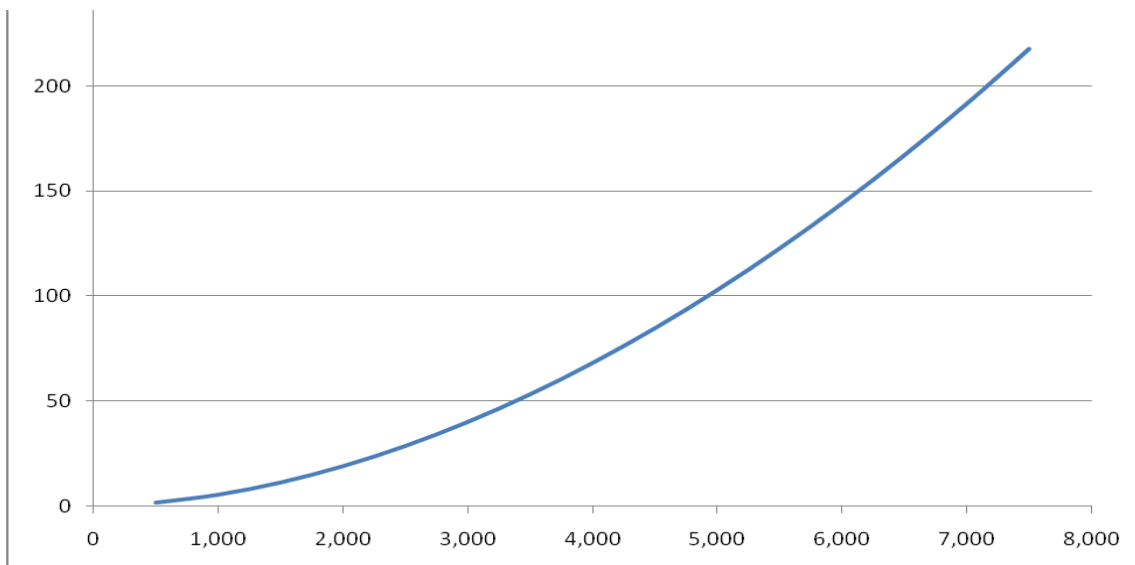
Waterway:	316 SS
Swivels:	316SS
Inlet Flange:	316SS
Balls:	Brass
Grease Nipples:	316 Stainless Steel
Fasteners:	316 Stainless Steel

Connections

Inlet: 100mm ASME Class 150 raised face stainless steel flange
Outlet: 100mm BSP Male

Performance Data

Friction Loss Curve



Options

These monitors can also be manufactured in a range of alternative stainless steel alloys including duplex stainless steel.

ORION FIRE ENGINEERING PTY LIMITED

ABN 80 002 538 696

26A LYN PARADE PRESTONS NSW 2170 AUSTRALIA

Tel (61) 2 9426 7900 FAX (61) 2 8783 5400

Visit our Website www.orion-fire.com.au Email: sales@orion-fire.com.au